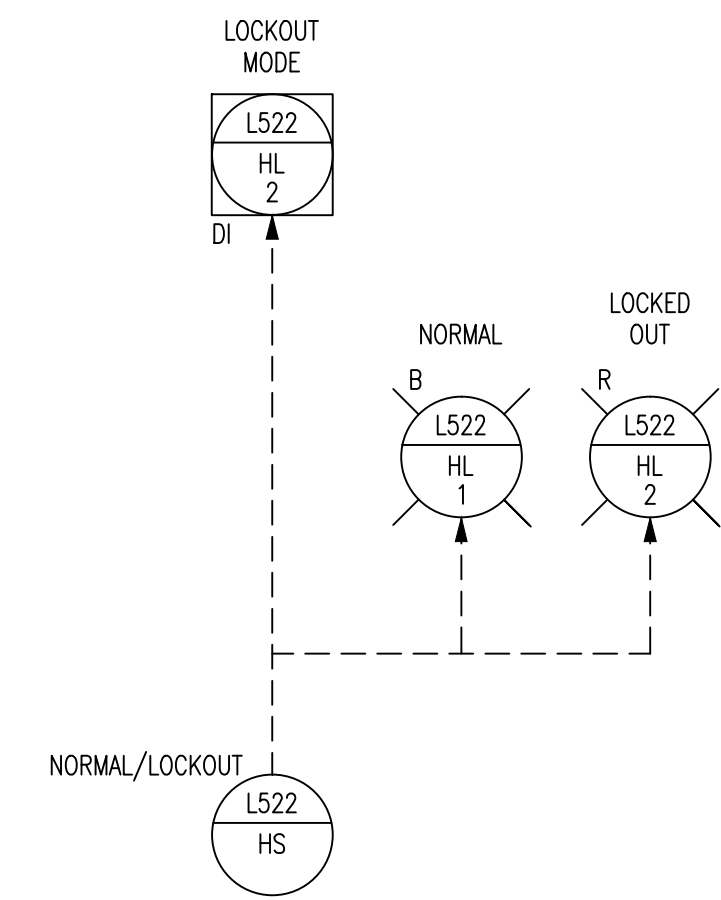
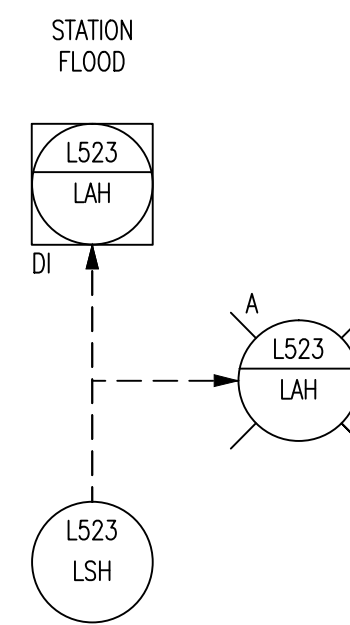
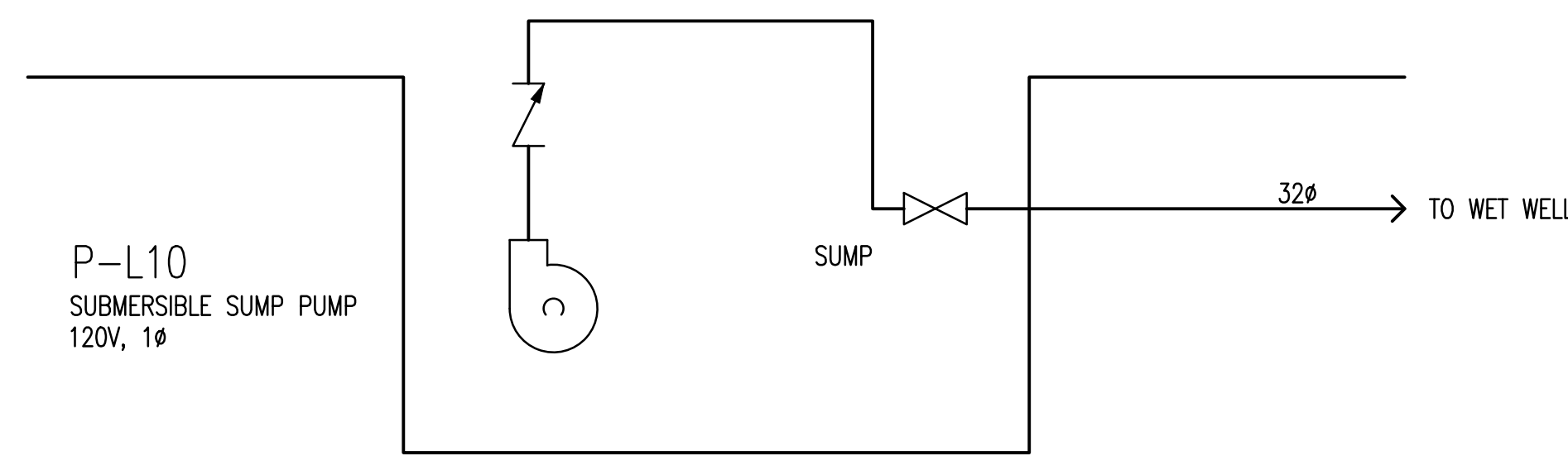


ELECTRICAL POWER ALARMS



RTU ALARM LOCKOUT



STATION FLOOD ALARM

LEGEND:

- DEVICE DESCRIPTORS:
 A AMBER
 B BLUE
 DI DISCRETE INPUT
 R RED
- FUNCTIONAL IDENTIFIERS:
 EAL LOW VOLTAGE ALARM
 EI VOLTAGE INDICATOR
 ESL LOW VOLTAGE SWITCH
 HL HAND SWITCH INDICATOR
 HS HAND SWITCH
 II CURRENT INDICATOR
 KQI TOTAL RUN TIME
 LAH LEVEL ALARM HIGH
 LAL LEVEL ALARM LOW
 MM MOTOR RUNNING
 UA ENGINE FAULT

NOTES:

1. ALL INSTRUMENT IDENTIFIERS HAVE AN OPTIONAL FACILITY PREFIX OF "BUR-".
 EXAMPLE: BUS-L501-HS-1
2. IN LOCKOUT MODE, NO ALARMS ARE FORWARDED BY THE RTU. THIS IS UTILIZED FOR TESTING PURPOSES.



NO.	REVISIONS	DATE	DESIGN	CHECK
00	ISSUED FOR CITY USE	2012/01/31	-	TMC

SNC-LAVALIN INC. 148 Nature Park Way Winnipeg, MB, Canada R3P 0X7 204-786-8080		ENGINEER'S SEAL
DESIGNED BY: EXISTING	CHECKED BY: T. CHURCH	
DRAWN BY: S. FUNK	APPROVED BY: C. REIMER	
SCALE: NTS	RELEASED FOR CONSTRUCTION BY:	
DATE: 2011/04/13	DATE:	
CONSULTANT NO.:		

THE CITY OF WINNIPEG
 WATER AND WASTE DEPARTMENT

BURROWS WASTEWATER PUMPING STATION
 PUMPING STATION CONDITION ASSESSMENT PHASE 1
 PROCESS & INSTRUMENTATION DIAGRAM
 GENERATOR & MISC

CITY DRAWING NUMBER	SHEET	REV.	SIZE
1-0121L-P0003	001	00	A1